

MEIKO

Pot & Pan Warewasher

Spare Parts Manual



FV130.2

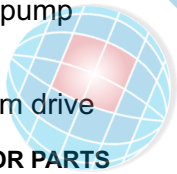
208V-230V/460V 3-PHASE 60 HZ





Contents

- 01.15 Wash pump
- 03.20 Wash system
- 03.21 Final rinse system
- 03.22 Final rinse system lateral
- 04.25 Solenoid valve
- 06.07 Level control
- 08.35 Incorporated boiler
- 09.11 Tank heating
- 10.14 Dosing units
- 11.37 Electrical control 208-230V
- 11.47 Electrical control 460V
- 13.26 Component blocks / parts
- 18.09 Drain pump
- 22.12 Booster pump
- 24.06 Air gap
- 29.02 Wash arm drive



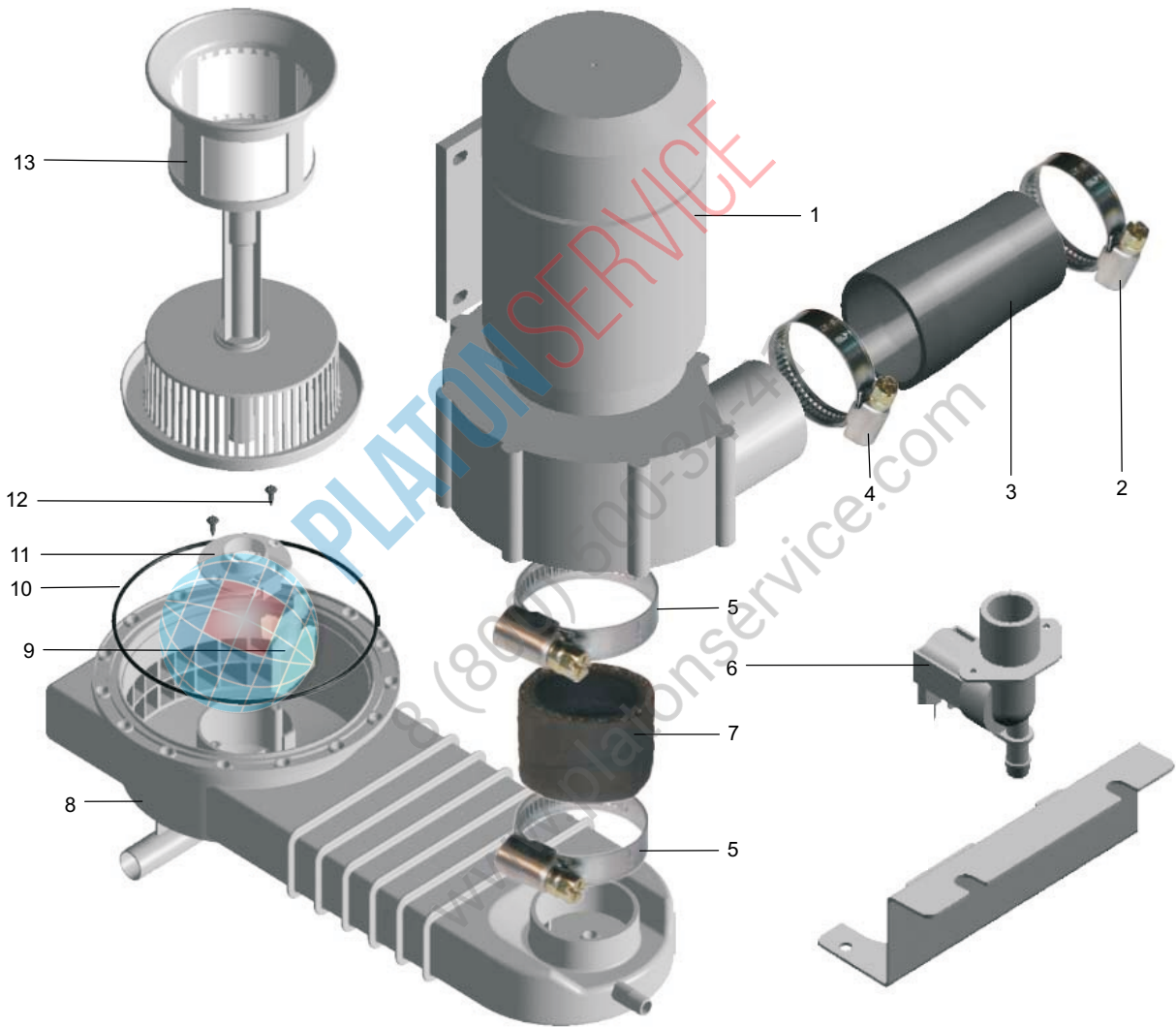
LEGEND KEY FOR PARTS

- * RECOMMENDED SPARE PARTS
- V WEAR AND TEAR PART

WE RESERVE THE RIGHT TO CHANGE
EXECUTION AND CONSTRUCTION.

MEIKO USA Inc.
1349 Heil Quaker Blvd.
La Vergne, TN 37086
Toll Free (800) 55-MEIKO (For general inquiries)
24-Hour Service (800) 868-3840 or (615) 399-6600
FAX (615) 399-6620
www.meiko.us
Info@meiko.us

01.15 WASH PUMP



01.15 WASH PUMP HOUSING





01.15 WASH PUMP

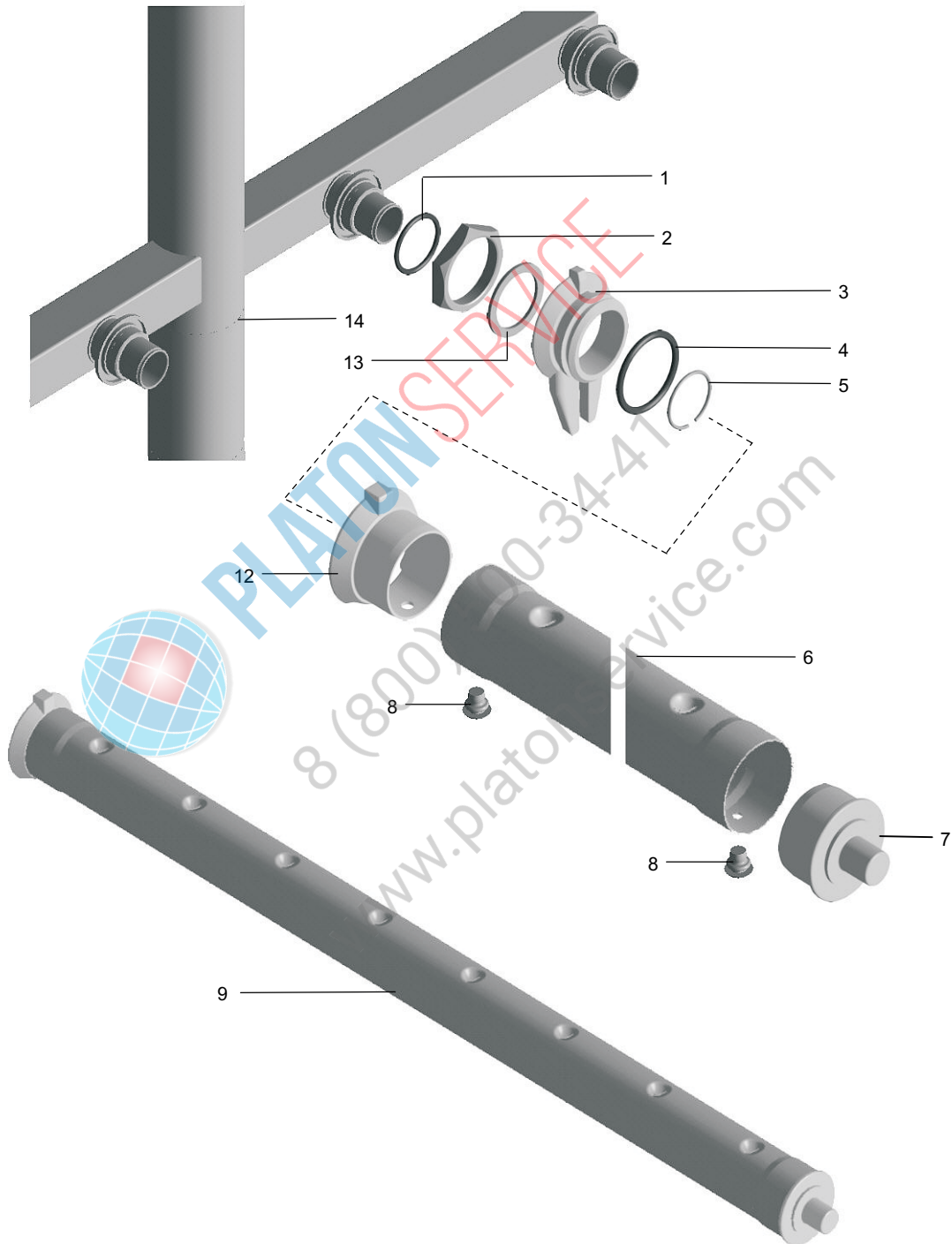
POS.	PART #	DESCRIPTION
1	9207811	WASH PUMP KIT 208-230V / 460V 2.6 KW
2	9546093	HOSE CLAMP 70-90MM
3	9600819	HOSE
4	9546094	HOSE CLAMP 80-100MM
5	9546093	HOSE CLAMP 70-90MM
6	9544640	SOLENOID VALVE
7	9543879	HOSE CONNECTION
8	9600390	SUCTION SYSTEM
9	9601543	FLAP
10	9600791	O-RING
11	9600744	HOUSING
12	0330022	SHEET METAL SCREW
13	9612087	SUCTION SIEVE WITH COVER
14	9541785	SLIDING SEAL KIT
15	9541786	SEAL SET
16	9541787	PUMP HOUSING
17	9541788	PUMP LID
18	9544510	IMPELLER
19	9541790	SEAL
20	9541791	O-RING SEAL
21	9541793	IMPELLER NUT

01.15 WASH PUMP STAINLESS STEEL



POS.	PART #	DESCRIPTION
1	9208064	PUMP HOUSING
2	9208066	PUMP IMPELLER
3	9208067	O-RING AND HARDWARE KIT
4	9208065	PUMP BACKING PLATE
5	9208068	PUMP SEAL KIT
6	9208102	PUMP ADAPTER PLATE
7	9207810	PUMP DISCHARGE TUBE
8	9546093	HOSE CLAMP 70 - 90MM

03.20 WASH SYSTEM





03.20 WASH SYSTEM

POS.	PART #	DESCRIPTION
1	9601007	O-RING
2	9600765	HEXAGON NUT
3	9600764	CARRIER
4	9659174	O-RING VITON 33.6MM X 3.5MM
5	9600784	SNAP RING
6	9629169	LOWER WASH TUBE ASSEMBLY
7	9600446	CLOSING CAP
8	9600832	BLIND RIVET
9	9629170	UPPER WASH TUBE ASSEMBLY
10	9600763	COUPLING
11	9600453	WASHER
12	9607274	WASH SYSTEM
13	9600453	WASHER
14	9607274	ASCENDING PIPE SYSTEM

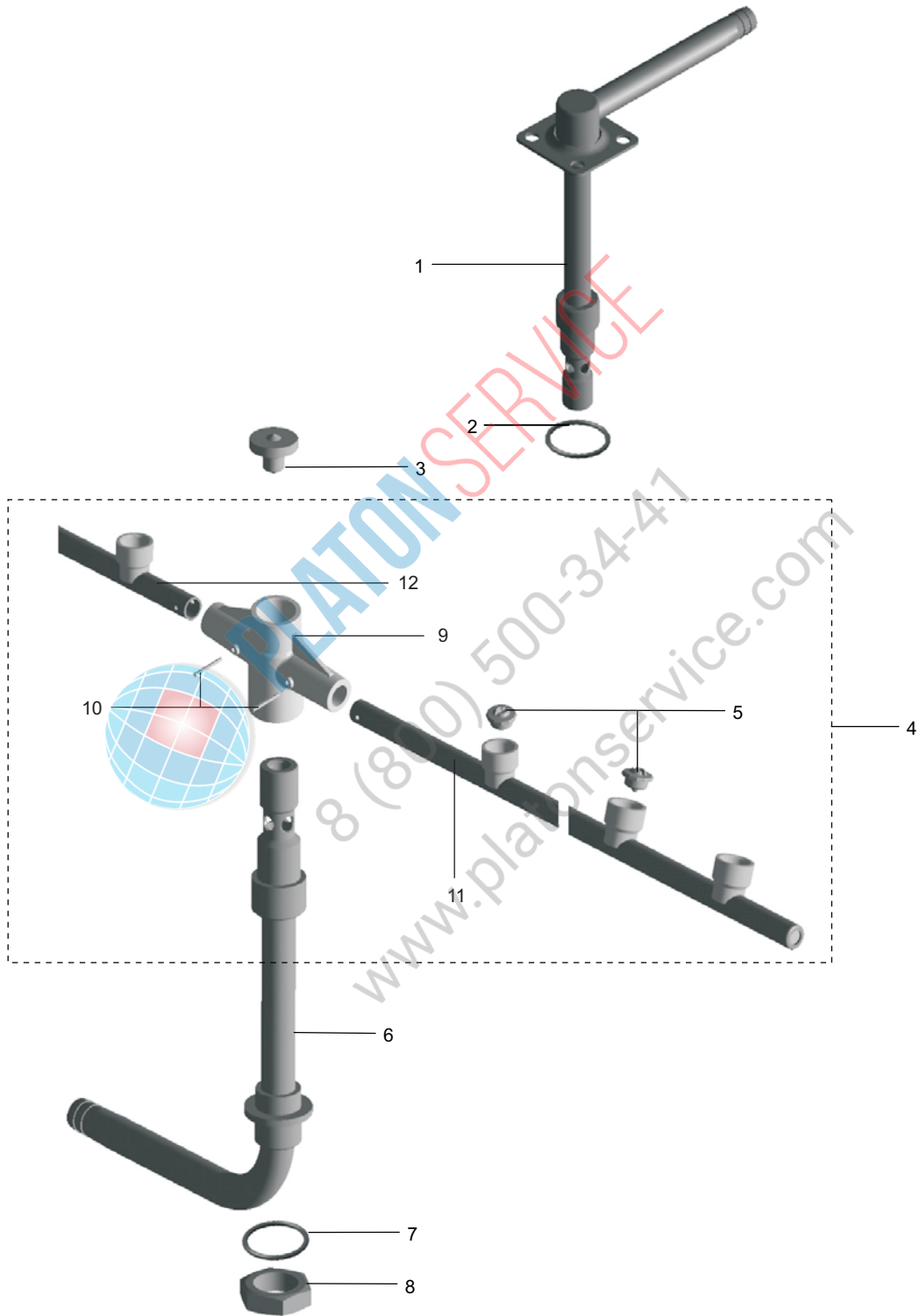


PLATON SERVICE

8 (800) 500-34-41

www.platonservice.com

03.21 FINAL RINSE SYSTEM





03.21 FINAL RINSE SYSTEM

POS.	PART #	DESCRIPTION
1	9600853	UPPER ROTATING ARM HUB
2	0401018	O-RING 22 X 3.5
3	0310010	KNURLED SCREW
4	9681107	ROTATING ARM
5	9517406	FINAL RINSE NOZZLE
6	9600657	LOWER ROTATING ARM HUB
7	0401066	O-RING 22 X 3
8	8660046	HEXAGON NUT 1/2"
9	9678386	ROTARY ARM BEARING
10	0354000	GROOVED PIN
11	9601026	RINSE ARM SECTION
12	9601027	RINSE ARM SECTION

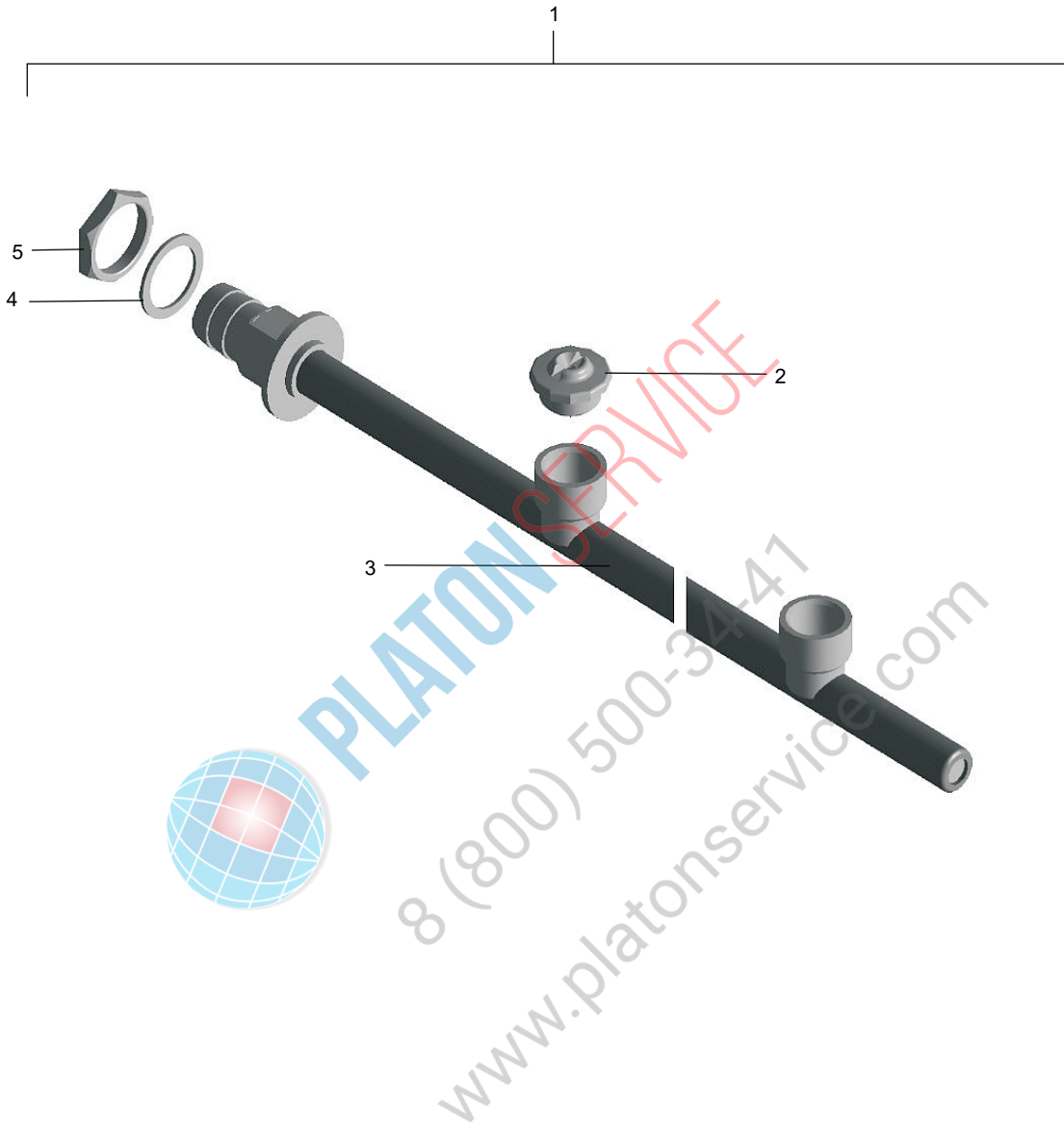


PLATON SERVICE

8 (800) 500-34-47

www.platonservice.com

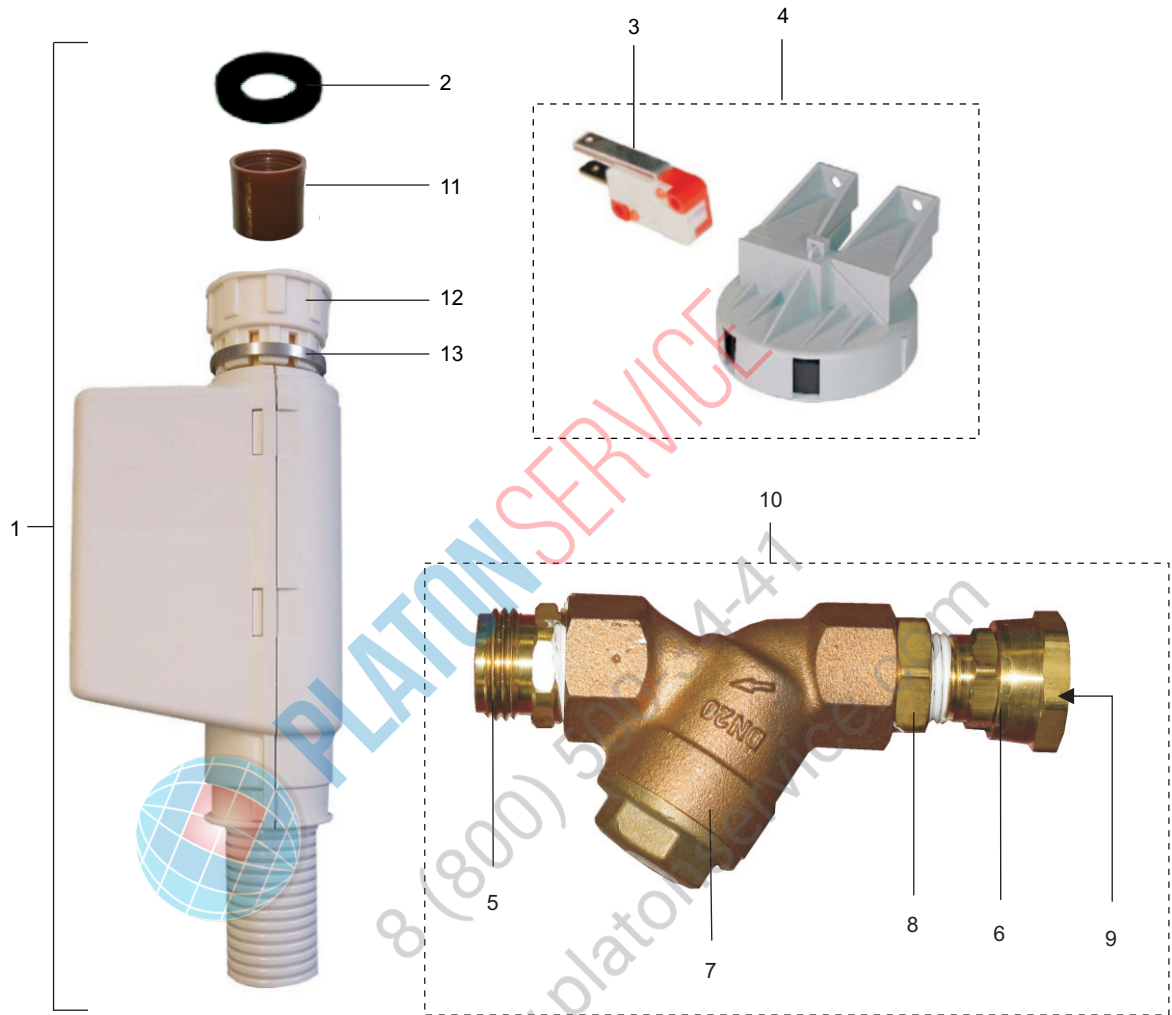
03.22 FINAL RINSE SYSTEM LATERAL



POS.	PART #	DESCRIPTION
1	9680282	LATERAL FINAL RINSE ARM
2	9517406	FINAL RINSE NOZZLE
3	9600629	RINSE PIPE
4	0408238	PACKING
5	8660239	HEXAGON NUT 3/8"

04.25 SOLENOID VALVE

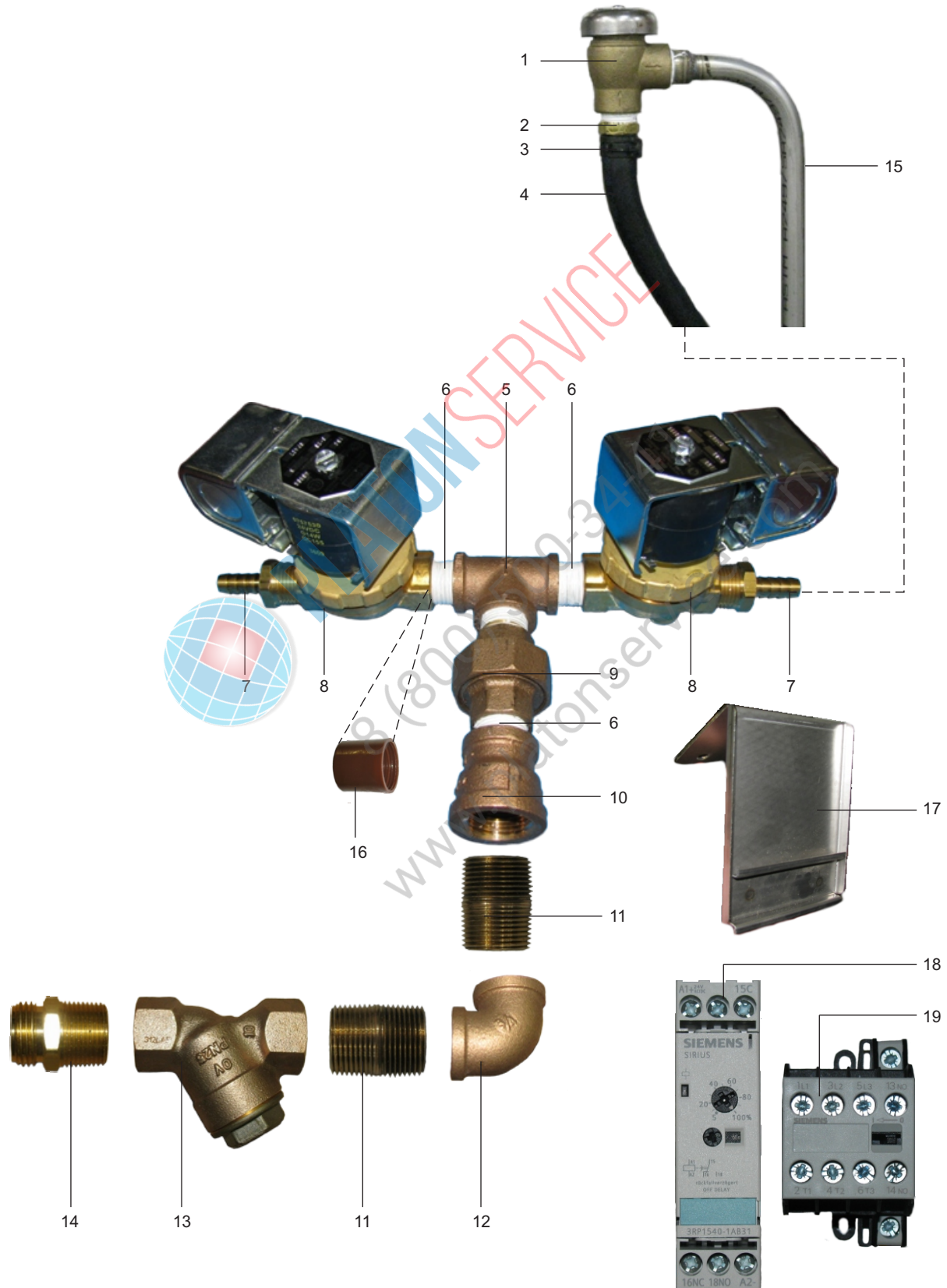
FOR MACHINES SHIPPED PRIOR TO 4/28/2009



POS.	PART #	DESCRIPTION
1	9208181	AQUASTOP
2	9500321	GASKET
3	9622932	MICROSWITCH
4	9622935	FLOAT SWITCH
5	9250127	ADAPTER BRASS 3/4" NPT X 3/4" HOSE
6	9207228	CONNECTOR SWIVEL HOSE 1/2" NPT
7	0225008	DIRT TRAP BRASS 3/4"
8	9250209	REDUCER BUSHING BRASS 3/4" NPT X 1/2" NPT
9	9207230	GASKET
10	9207229	Y-STRAINER ASSEMBLY
11	9207772	FLOW RESTRICTO 12L/MIN
12	9693544	AQUASTOP CONNECTION PIECE, GARDEN HOSE THREAD
13	8302895	RING, LOCKING

04.26 FAST FILL SYSTEM

FOR MACHINES SHIPPED AFTER 4/28/2009



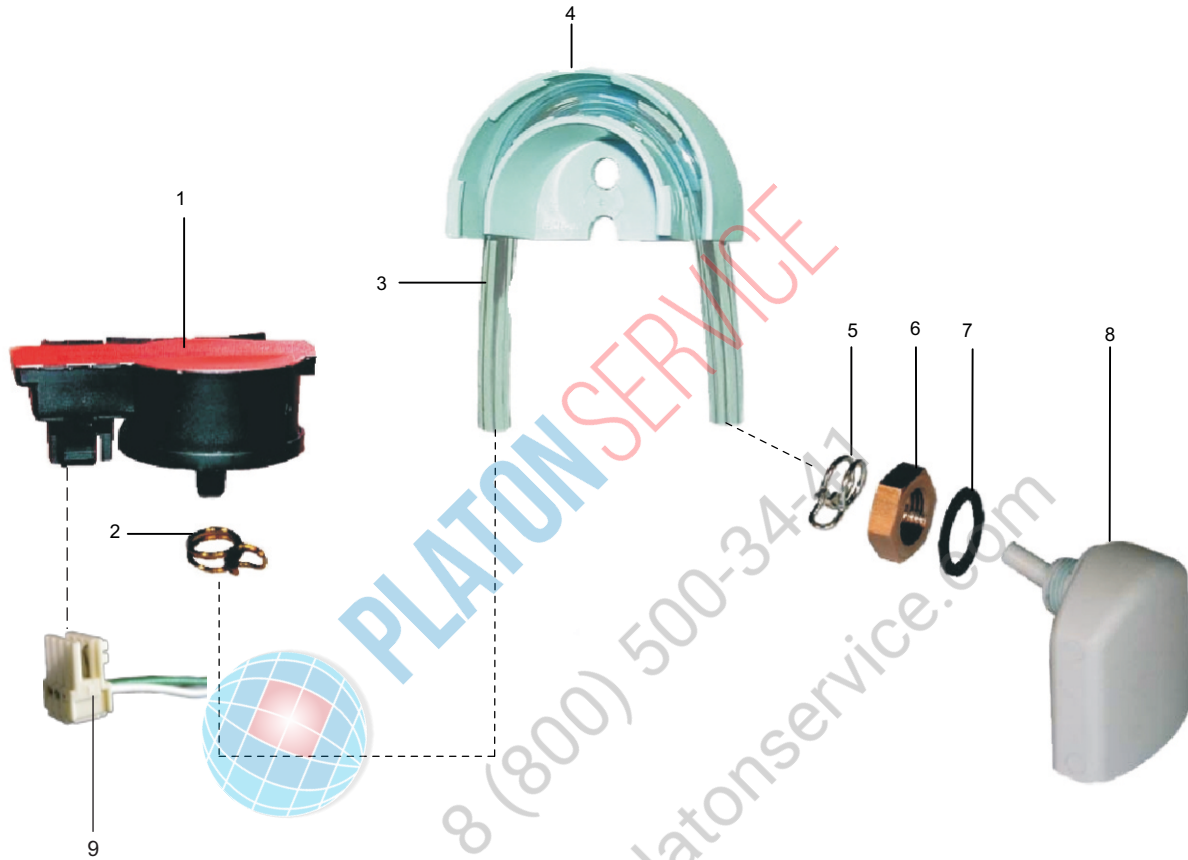


04.26 FAST FILL SYSTEM

FOR MACHINES SHIPPED PRIOR TO 4/28/2009

POS.	PART #	DESCRIPTION
1	9647252	VACUUM BREAKER 1/2"
2	9207170	HOSE BARB BRASS 1/2"X 1/2" NPT
3	0233035	HOSE CLAMP
4	9608600	HOSE 1/2"
5	9651473	TEE BRASS 1/2" NPT
6	9651479	CLOSE NIPPLE BRASS 1/2" NPT
7	9250172	HOSE BARB BRASS 1/2"X 3/8" NPT
8	9207489	SOLENOID VALVE 1/2" 24VDC
9	9207075	BRASS UNION 1/2"
10	9629820	BELL REDUCER BRASS 3/4" X 1/2"
11	9250036	CLOSE NIPPLE BRASS 3/4"
12	9250053	ELBOW BRASS 90 3/4"
13	0225008	DIRT TRAP BRASS 3/4"
14	9250127	ADAPTER BRASS 3/4" NPT X 3/4" HOSE
15	9207533	WELDMENT WASH TANK FILL
16	9207772	FLOW REGULATOR 12L / MIN
17	9623261	BRACKET
18	9200150	RELAY, SIEMENS TIMER
19	9543079	CONTACTOR

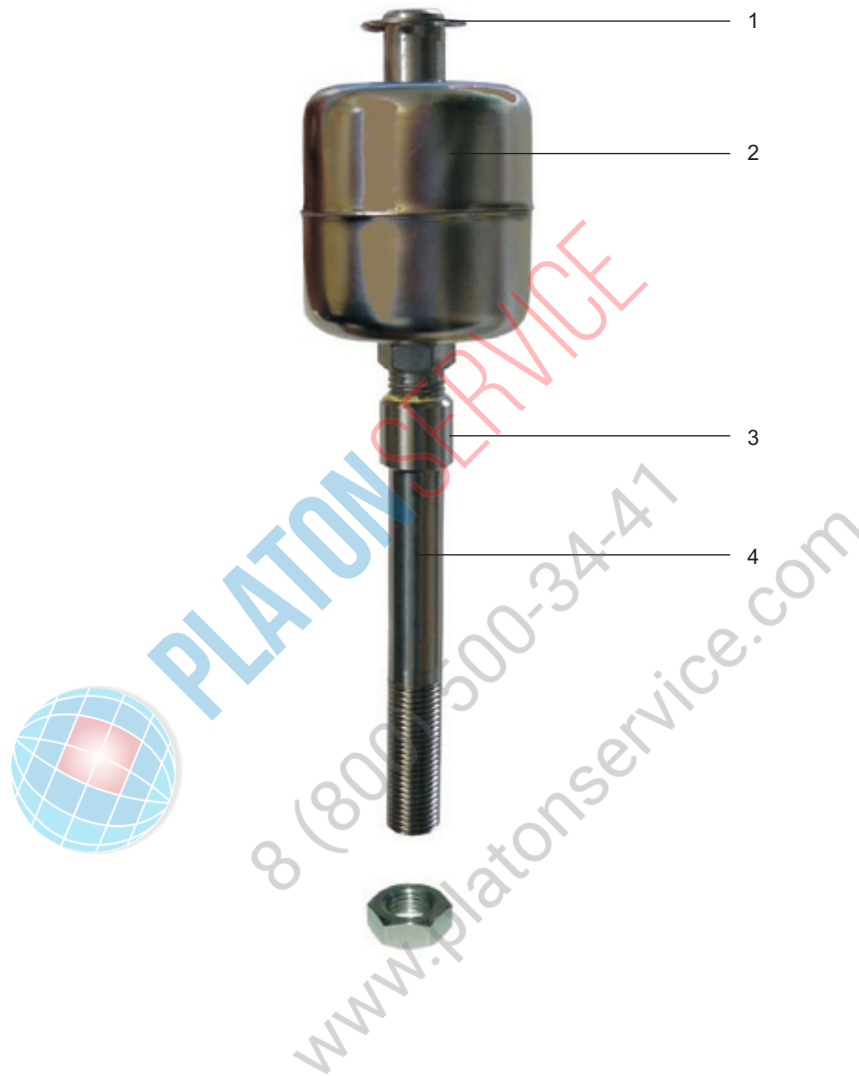
06.07 LEVEL CONTROL



POS.	PART #	DESCRIPTION
1	9537961	PRESSURE SENSOR
2	9655080	HOSE CLAMP
3	0260006	HOSE
4	9601265	HOSE HOLDER
5	9655015	HOSE CLAMP
6	9515957	NUT 3/8"
7	9515964	FLAT SEAL
8	9515955	AIR TRAP
9	9538917	PLUG

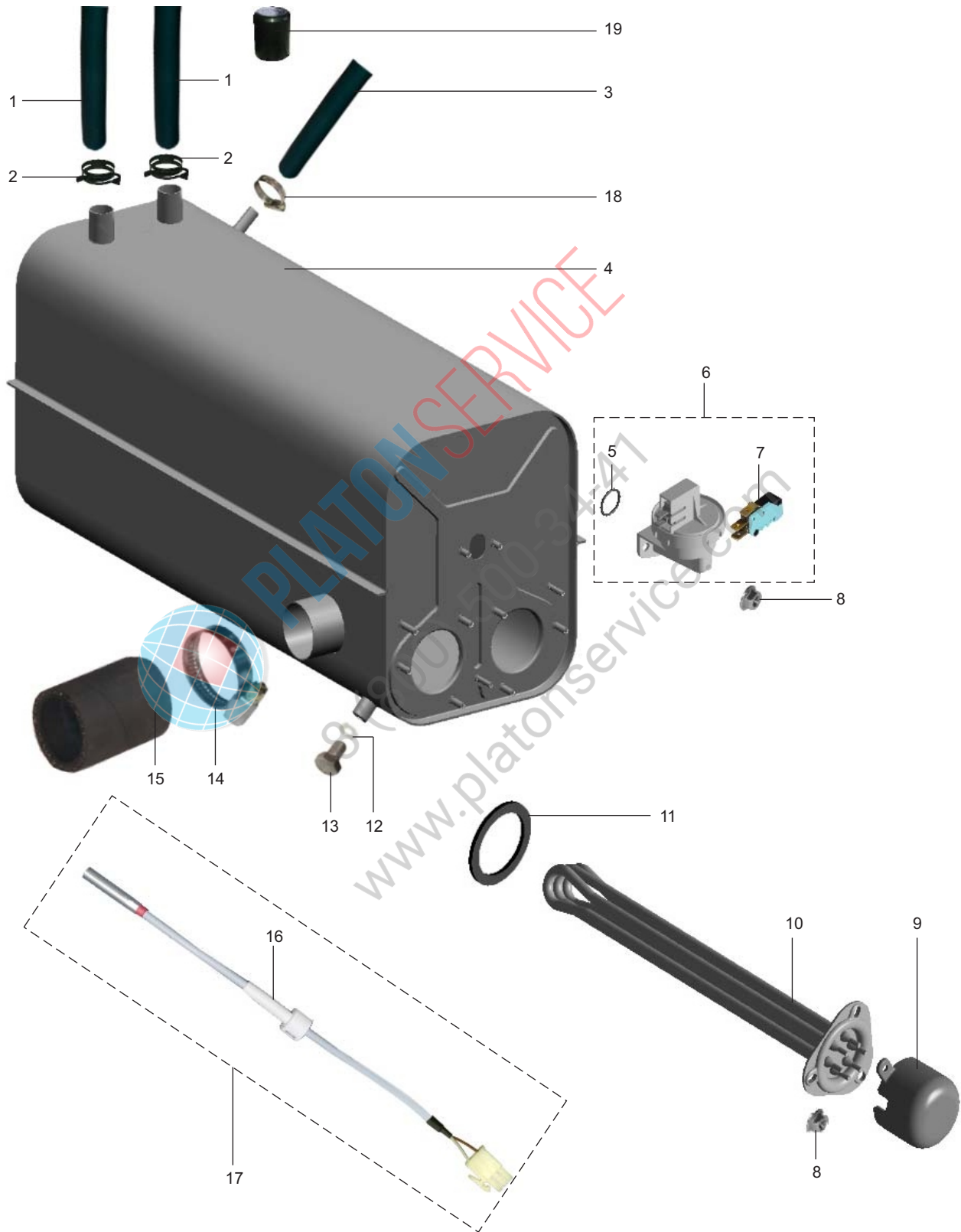
06.07 LEVEL CONTROL

FOR MACHINES WITH FAST FILL SYSTEM ONLY



POS.	PART #	DESCRIPTION
1	9207132	FLOAT CLIP
2	0130023	FLOAT SWITCH
3	8250807	COUPLING
4	8250805	DOUBLE NIPPLE L = 4-17/32"

08.35 INCORPORATED BOILER

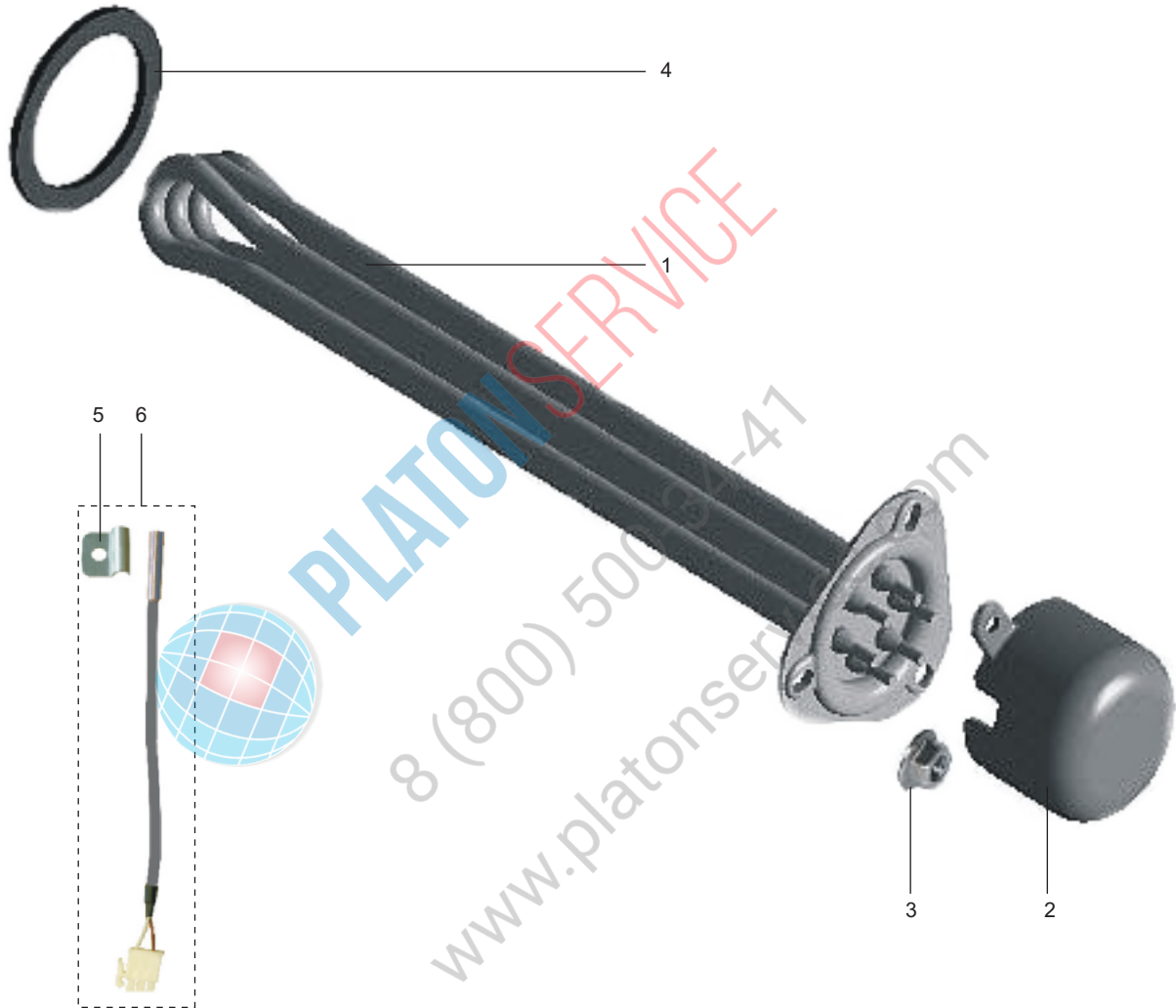




08.35 INCORPORATED BOILER

POS.	PART #	DESCRIPTION
1	9608600	HOSE 1/2"
2	9607418	HOSE CLAMP 21 x 12
3	9608607	HOSE 3/8"
4	9604799	BOILER HOUSING
5	0401014	O-RING 18 X 2
6	9207519	BOOSTER LEVEL SWITCH KIT
7	0122103	MICROSWITCH
8	0335008	NUT M5
9	0620312	COVER FOR HEATING ELEMENT
10	9546195	BOOSTER HEATING ELEMENT 240V 6.5 KW
11	0101176	PACKING
12	0408001	PACKING
13	0302006	SCREW M8 X 15
14	0233046	HOSE CLAMP 32-50
15	9600820	HOSE CONNECTION
16	9639301	CABLE CLIP
17	9640339	BOOSTER TANK TEMPERATURE PROBE
	9642324	QUICK DISCONNECT UPGRADE KIT BOOSTER TEMPERATURE PROBE ASSEMBLY
18	0233035	HOSE CLAMP
19	9609357	CLOSING CAP

09.11 TANK HEATING



POS.	PART #	DESCRIPTION
1	9546193	HEATING ELEMENT 240V 4.5 KW
2	0620312	COVER FOR HEATING ELEMENT
3	0335008	NUT M5
4	0101176	PACKING
5	9639363	SUPPORT FOR TEMPERATURE SENSOR
6	9640338	WASH TANK TEMPERATURE SENSOR

10.14 DOSING UNITS





10.16 DOSING UNITS

POS.	PART #	DESCRIPTION
1	9544292	DETERGENT DOSING PUMP CPL.
2	9511675	DETERGENT SQUEEZE TUBE
3	9655015	HOSE CLAMP
4	9207252	DETERGENT TUBING RED
5	9207253	RINSE AID TUBING WHITE
6	9250135	BULKHEAD PLUG
7	9250160	INJECTION FITTING
8	9544088	RINSE AID SQUEEZE TUBE
9	9544293	RINSE AID DOSING PUMP CPL.
10	9203579	YELLOW DOSING PUMP COVER
11	9207382	BLUE HOSE ADAPTER 2.5" (MADE FROM 9538712)
12	9207383	CLEAR HOSE ADAPTER 2.5" (MADE FROM 0260007)
13	9207500	CHEMICAL TUBING KIT
14	9601023	COLLECTING PAN



PLATON SERVICE
8 (800) 500-34-41
www.platonservice.com

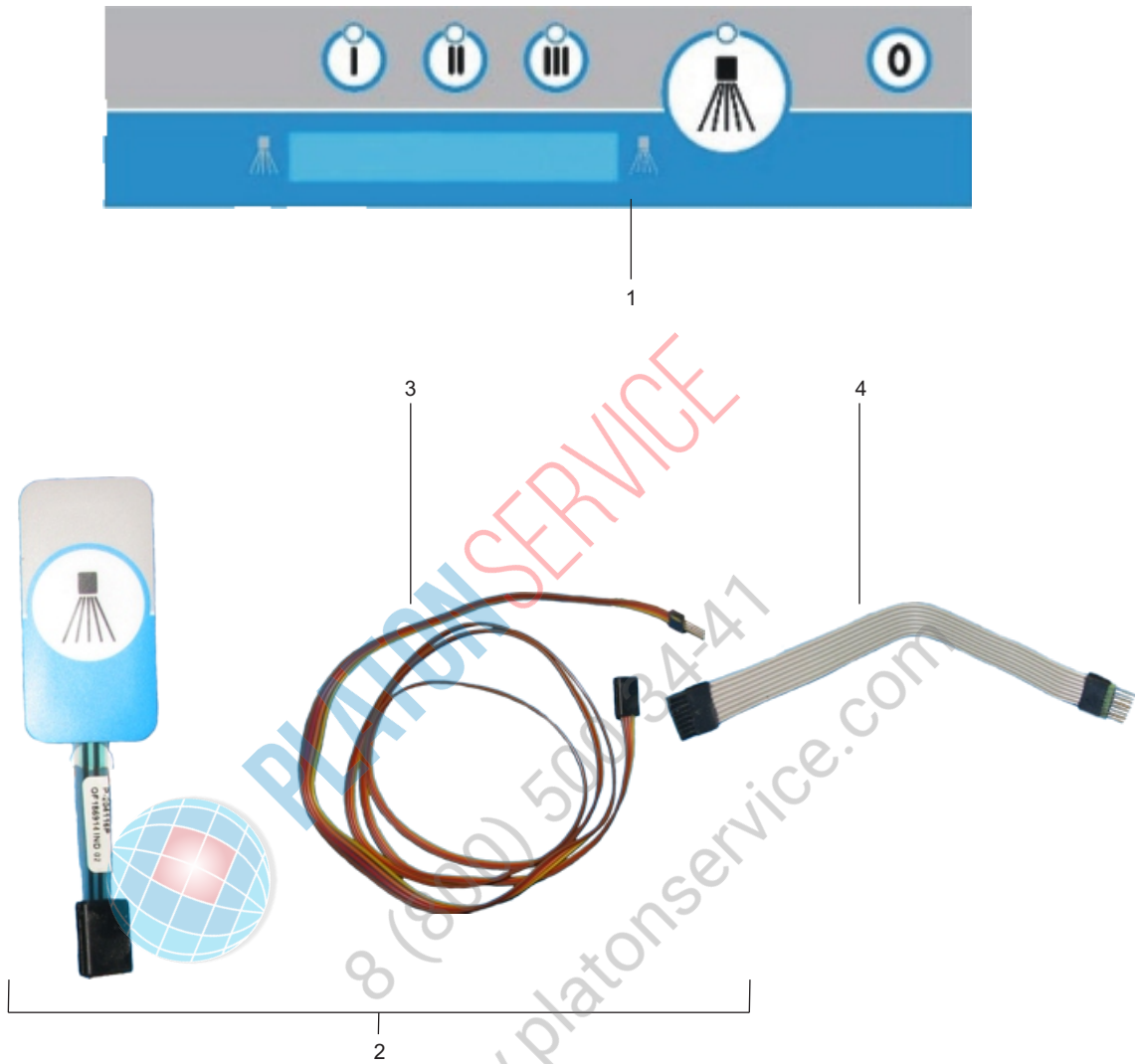


10.16 DOSING UNITS

FOR MACHINES SHIPPED BEFORE 4/28/2008 SERIAL NUMBER < 10113866	FOR MACHINES SHIPPED BETWEEN 4/28/2008 - 02/09/2010 SERIAL NUMBER > 10113866 AND < 30002244	FOR MACHINES SHIPPED AFTER 2/09/2010 SERIAL NUMBER ≥ 30002244
 <p>1</p>	 <p>2</p>	 <p>3</p>

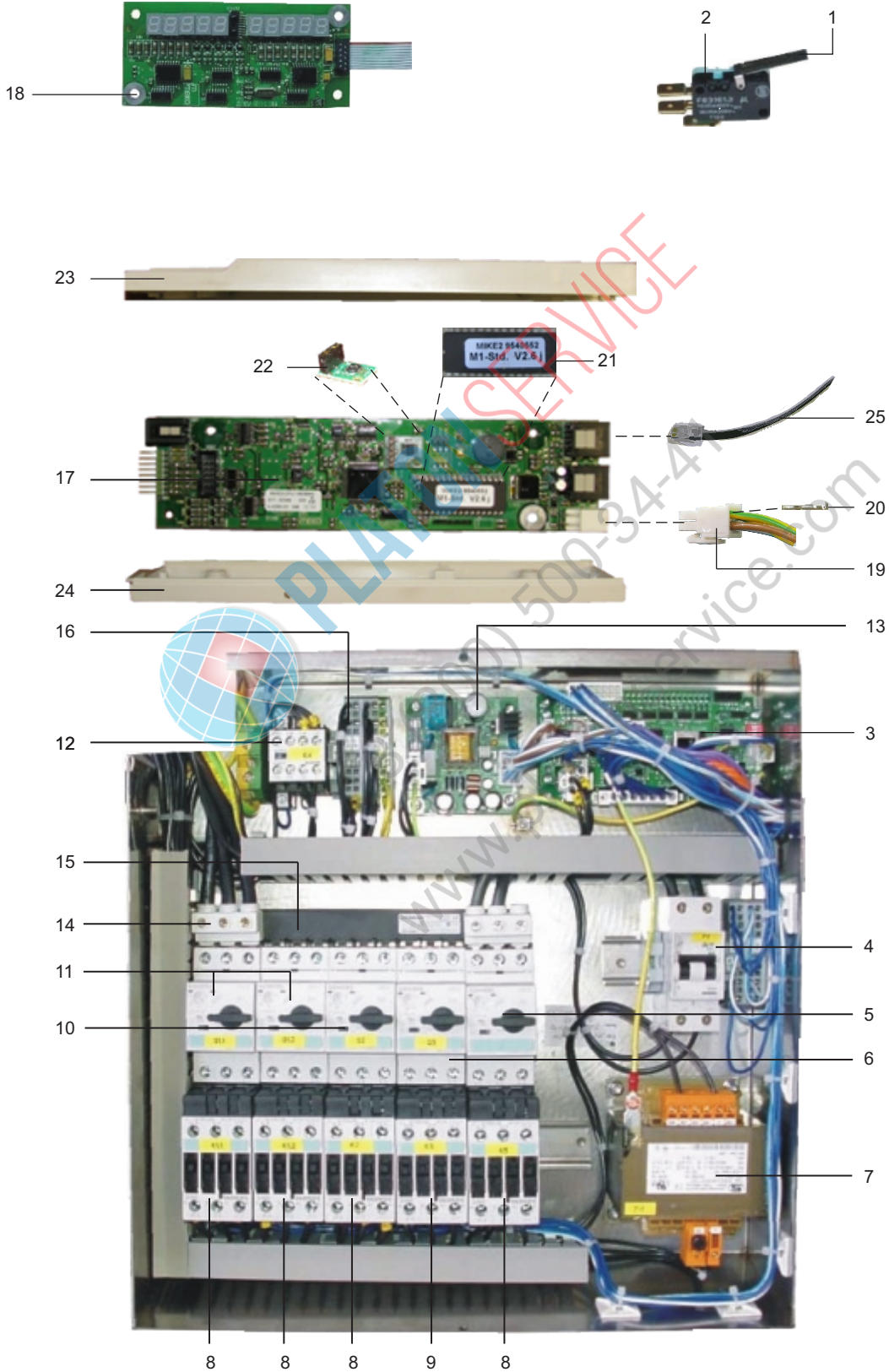
POS.	PART #	DESCRIPTION
1	8005393	SUCTION LANCE
2	9207327	TUBE - 1/4" CPVC SCH. 80
3	9666201	SUCTION LANCE WITH LEVEL SENSOR

11.37 ELECTRONIC CONTROL 208-230V



POS.	PART #	DESCRIPTION
1	9537365	TOUCH PANEL
2	9537572	AUXILIARY TOUCH PANEL W/ RIBBON CABLE
3	9539901	RIBBON CABLE
4	9655724	RIBBON CABLE

11.37 ELECTRONIC CONTROL 208-230V

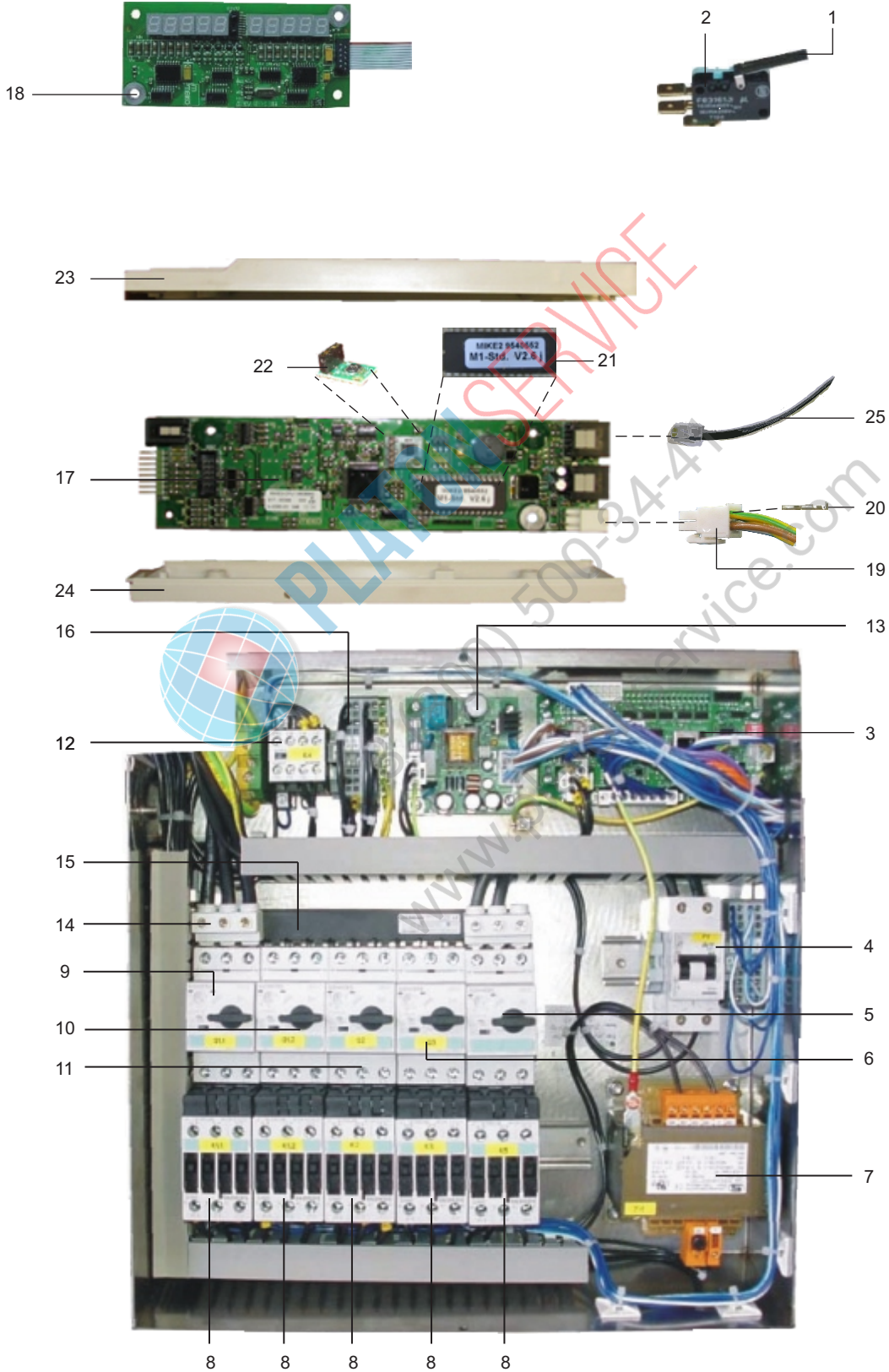




11.37 ELECTRONIC CONTROL 208-230V

POS.	PART #	DESCRIPTION
1	0122106	LEVER FOR MICROSWITCH
2	0122103	MICROSWITCH
3	9617235	INPUT/OUTPUT CIRCUIT BOARD
	9611761	FUSE 16A 20MM
4	9542512	CIRCUIT BREAKER 10A
5	9540603	OVERLOAD 2.2 - 3.2A
6	9544339	OVERLOAD 9.0 - 12.5A
7	9545137	TRANSFORMER
8	9542897	CONTACTOR
9	9544770	CONTACTOR
10	9544738	OVERLOAD 20 - 25A
11	9544737	OVERLOAD 17 - 22A
12	9543079	CONTACTOR
13	9626264	POWER SUPPLY CIRCUIT BOARD
14	9540604	CONNECTION BLOCK
15	9530033	DISTRIBUTOR BAR
16	9605554	RELAY
17	9541525	CPU BOARD ASSEMBLY
18	9542049	DISPLAY PCB WITH HOUSING
	9531916	DISPLAY PCB HOUSING
19	9531644	PLUG-IN ELEMENT
20	9539160	BUSH MOLEX PIN
21	9540552	EPROM - FOR UNITS SHIPPED PRIOR TO FEBRUARY 2010 NOTE: MUST PROVIDE SERIAL NUMBER WHEN ORDERING
21	9604262	EPROM - FOR UNITS SHIPPED AFTER FEBRUARY 2010 NOTE: MUST PROVIDE SERIAL NUMBER WHEN ORDERING
22	9615751	EE-PROM NOTE: MUST PROVIDE SERIAL NUMBER WHEN ORDERING
23	9541139	CPU HOUSING TOP
24	9541141	CPU HOUSING BOTTOM
25	9635756	COMMUNICATION RIBBON CABLE

11.47 ELECTRONIC CONTROL 460V





11.47 ELECTRONIC CONTROL 460V

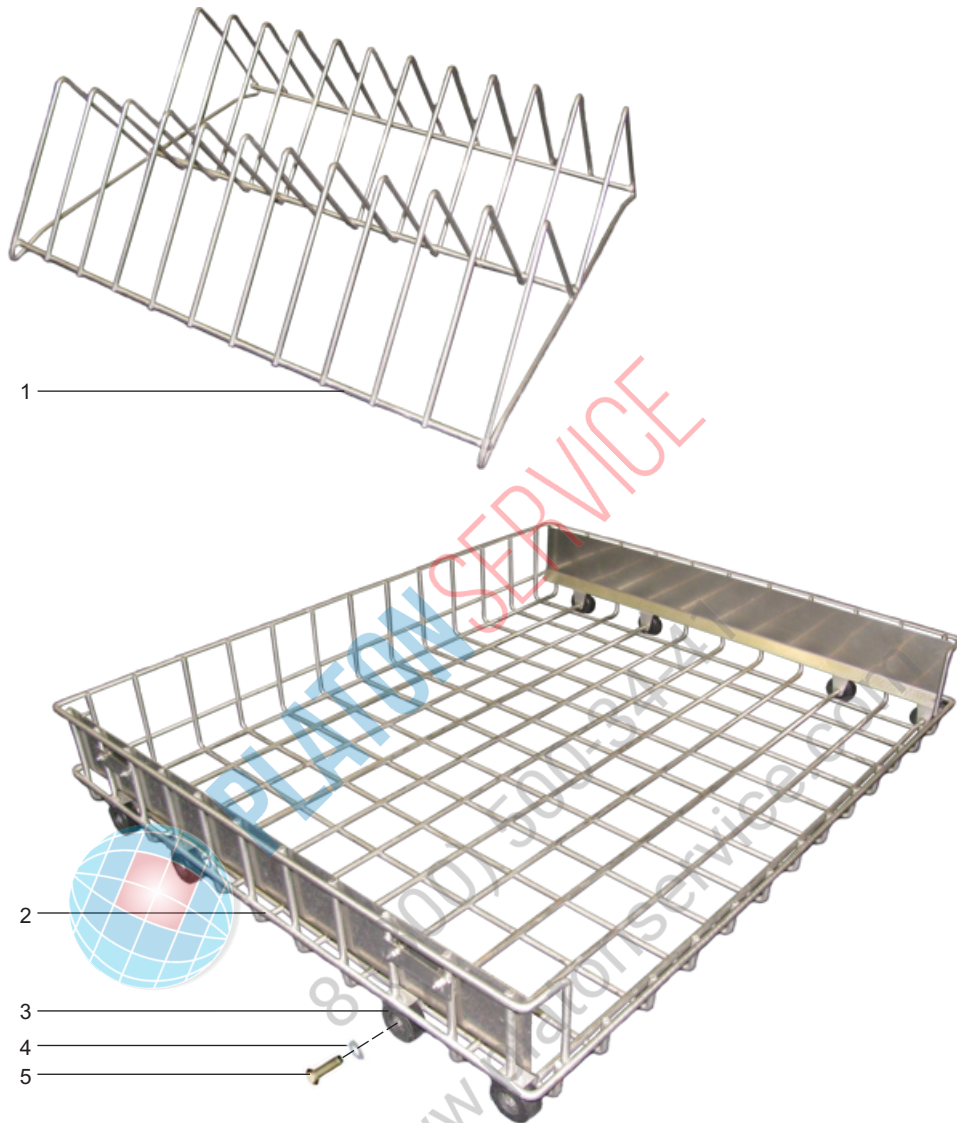
POS.	PART #	DESCRIPTION
1	0122106	LEVER FOR MICROSWITCH
2	0122103	MICROSWITCH
3	9617235	INPUT/OUTPUT CIRCUIT BOARD
	9611761	FUSE 16A 20MM
4	9542512	CIRCUIT BREAKER 10A
5	9531837	OVERLOAD 0.35 - 0.5A
6	9546245	OVERLOAD 1.1 - 1.6A
7	9546868	TRANSFORMER
8	9542897	CONTACTOR
9	9544737	OVERLOAD 17 - 22A
10	9544339	OVERLOAD 9.0 - 12.5A
11	9540602	OVERLOAD 4.5 - 6.3A
12	9543079	CONTACTOR
13	9626264	POWER SUPPLY CIRCUIT BOARD
14	9540604	CONNECTION BLOCK
15	9530033	DISTRIBUTOR BAR
16	9605554	RELAY
17	9541525	CPU BOARD ASSEMBLY
18	9542049	DISPLAY PCB WITH HOUSING
	9531916	DISPLAY PCB HOUSING
19	9531644	PLUG-IN ELEMENT
20	9539160	BUSH MOLEX PIN
21	9540552	EPROM - FOR UNITS SHIPPED PRIOR TO FEBRUARY 2010 NOTE: MUST PROVIDE SERIAL NUMBER WHEN ORDERING
21	9604262	EPROM - FOR UNITS SHIPPED AFTER FEBRUARY 2010 NOTE: MUST PROVIDE SERIAL NUMBER WHEN ORDERING
22	9615751	EE-PROM NOTE: MUST PROVIDE SERIAL NUMBER WHEN ORDERING
23	9541139	CPU HOUSING TOP
24	9541141	CPU HOUSING BOTTOM
25	9635756	COMMUNICATION RIBBON CABLE

13.26 DOOR / EXTERIOR COMPONENTS



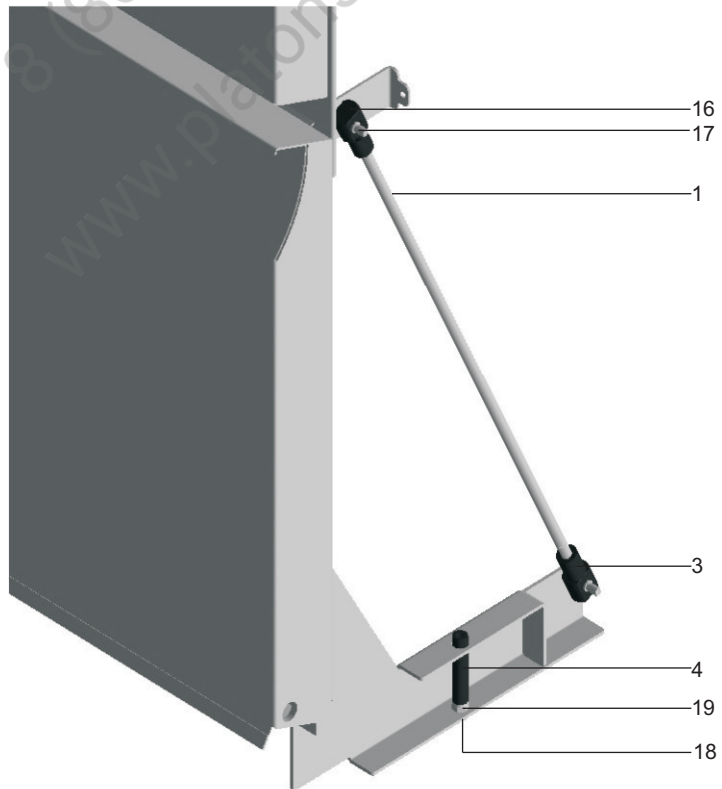
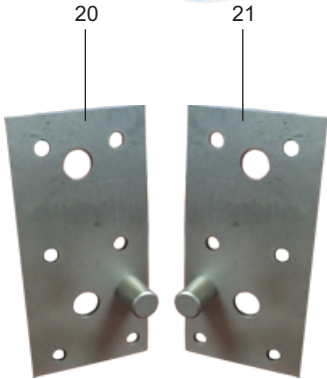
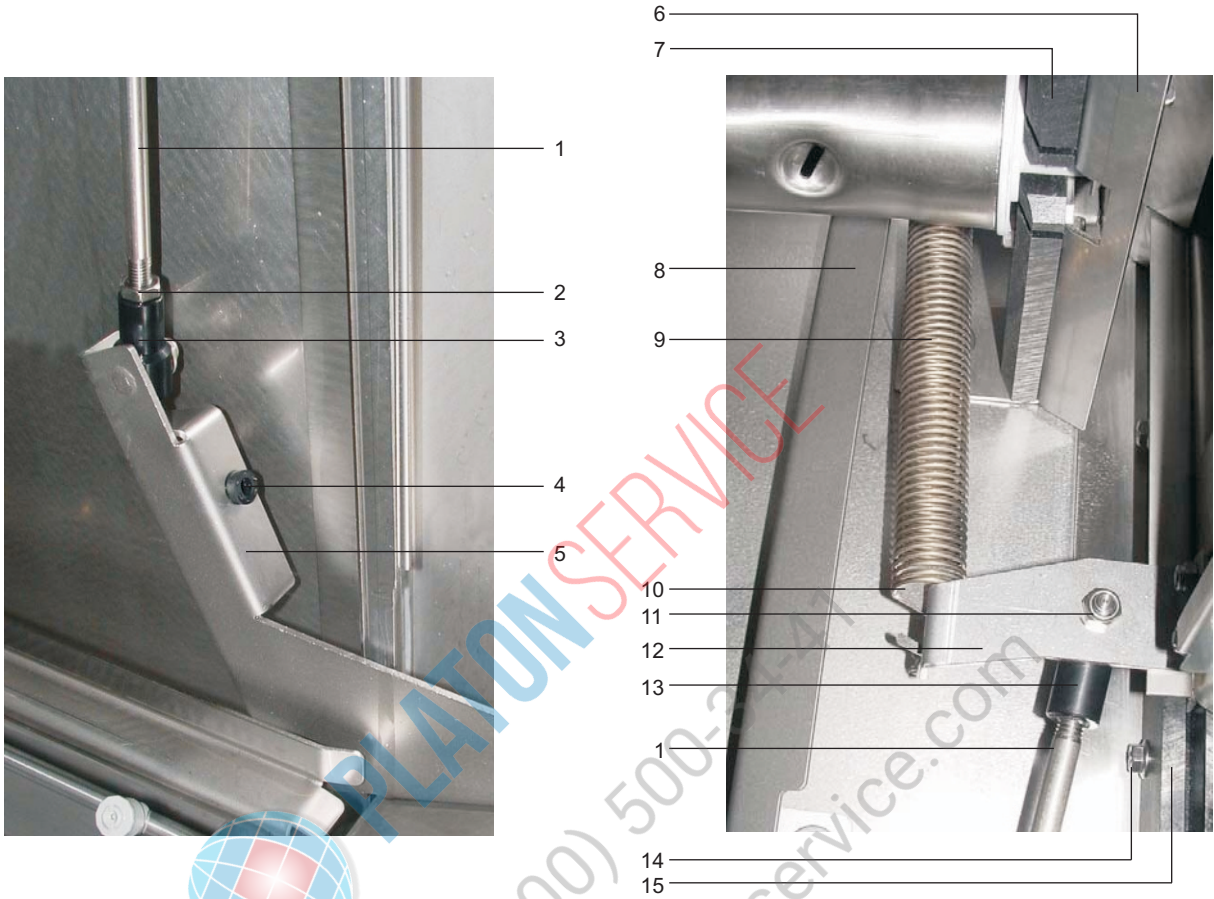
POS.	PART #	DESCRIPTION
1	9601303	SEALING ANGLE
2	9600945	COVER
3	9600378	SIDE WALL LEFT
4	9600770	SLIDING DOOR TOP
5	9600524	REAR WALL
6	9600370	DROP DOWN DOOR
7	9601107	SIDE WALL RIGHT
8	9600349	FRONT SHEET
9	9533829	PLASTIC FOOT ADJUSTABLE

13.26 DOOR / EXTERIOR COMPONENTS



POS.	PART #	DESCRIPTION
1	9539801	SHEET PAN INSERT
2	9600586	BASKET CPL. FV130.2
3	8660138	ROLLER
4	0340020	WASHER
5	0302043	HEX SCREW M5 X 10

13.26 DOOR / EXTERIOR COMPONENTS

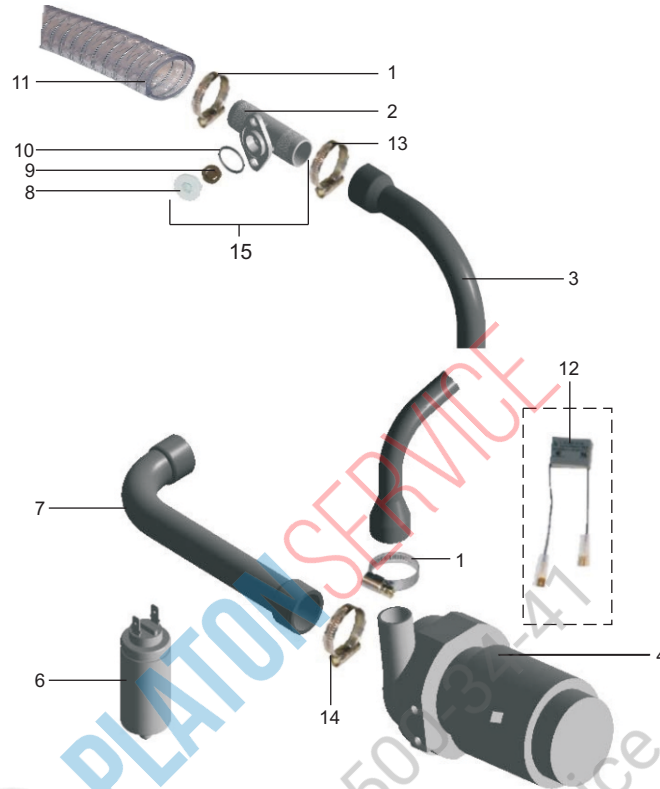




13.26 DOOR / EXTERIOR COMPONENTS

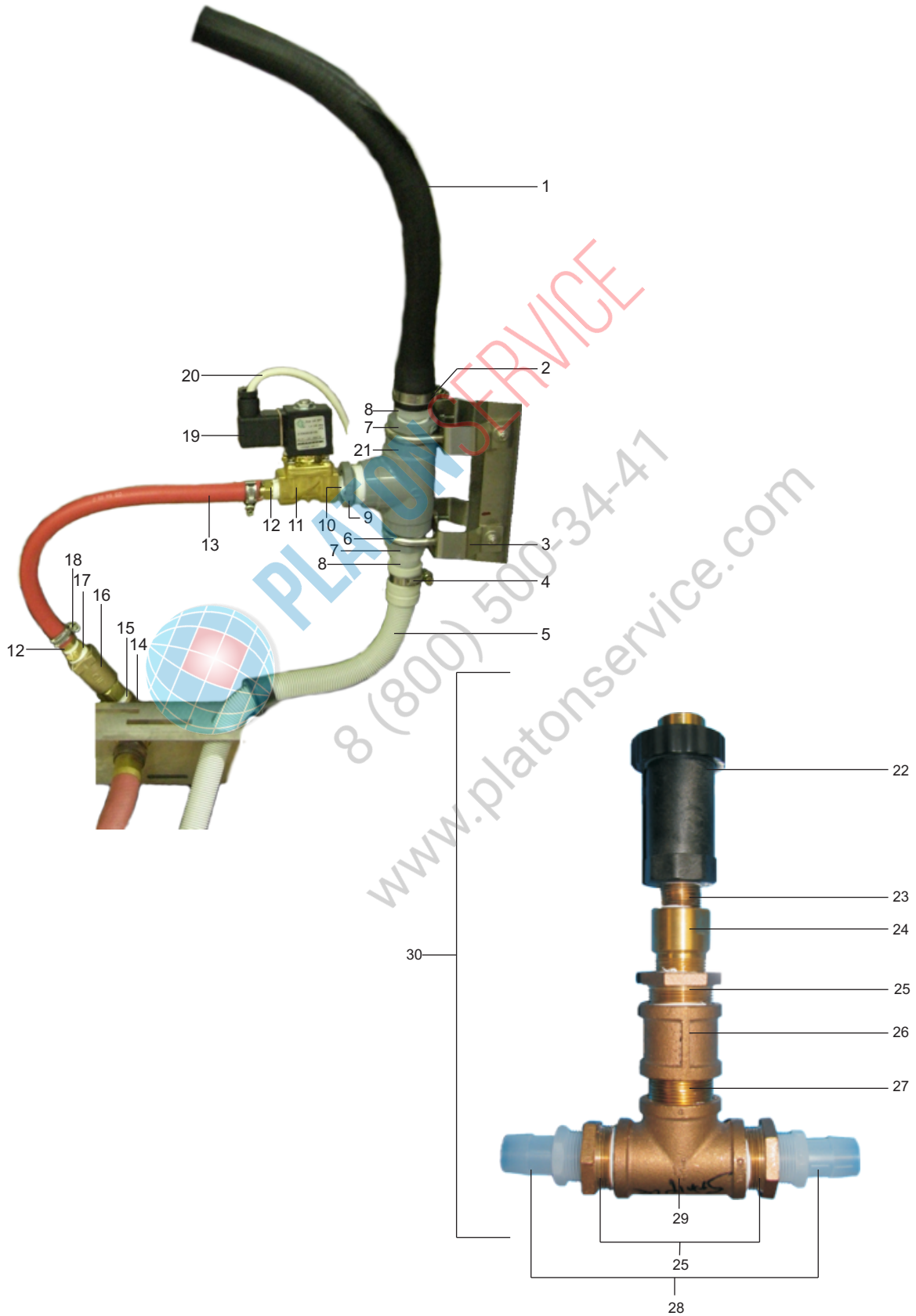
POS.	PART #	DESCRIPTION
1	9600525	PUSH ROD
2	9551547	NUT, M8 LEFT HANDED THREAD
3	9661702	PIVOT, STAINLESS STEEL BOTTOM
4	9207876	CLOSING CAP KIT
5	9600533	LEVER ARM RIGHT
5	9600532	LEVER ARM LEFT
6	9600789	FIXING DEVICE
7	9600506	CATCH, UPPER WASH ARM
8	9600956	PROTECTIVE HANDLE LEFT
8	9600997	PROTECTIVE HANDLE RIGHT
9	9208204	DOOR SPRING KIT
10	9679504	DOOR SPRING LINK
11	0337005	NUT M8
12	9601200	ANGLE LEFT
12	9601201	ANGLE RIGHT
13	9661700	PIVOT, STAINLESS STEEL TOP
14	0335300	NUT M5
15	9600371	DOOR GUIDE RAIL
16	9661700	PIVOT, STAINLESS STEEL TOP
17	8002831	BEARING BOLT
18	0302047	HEX BOLT M6
19	0337003	HEX NUT M6
20	9600445	HINGE, DOOR RIGHT
21	9600352	HINGE, DOOR LEFT

18.08 DRAIN PUMP



POS.	PART #	DESCRIPTION
1	0233045	HOSE CLAMP
2	9515230	VENT VALVE
3	9600813	HOSE CONNECTION
4	9638045	DRAIN PUMP WITH MOTOR 208V - ONLY
4	9638046	DRAIN PUMP WITH MOTOR 460V ONLY
	9662632	PUMP SEAL ASSEMBLY
	9543779	IMPELLER
5	9543780	PUMP HOUSING
	9523260	O-RING, PUMP HOUSING
6	9520030	CAPACITOR 5 μ F
7	9600814	HOSE CONNECTION
8	9515231	SCREW PLUG
9	9653648	VALVE FLAP, SILICONE
10	0401016	O-RING
11	9207488	DRAIN HOSE
12	9550030	CAPACITOR FOR 208V-230V ONLY
13	9607417	CLAMP
14	9607416	CLAMP
15	9653649	DRAIN VENT VALVE CPL.

19.03 DRAIN WATER TEMPERING KIT

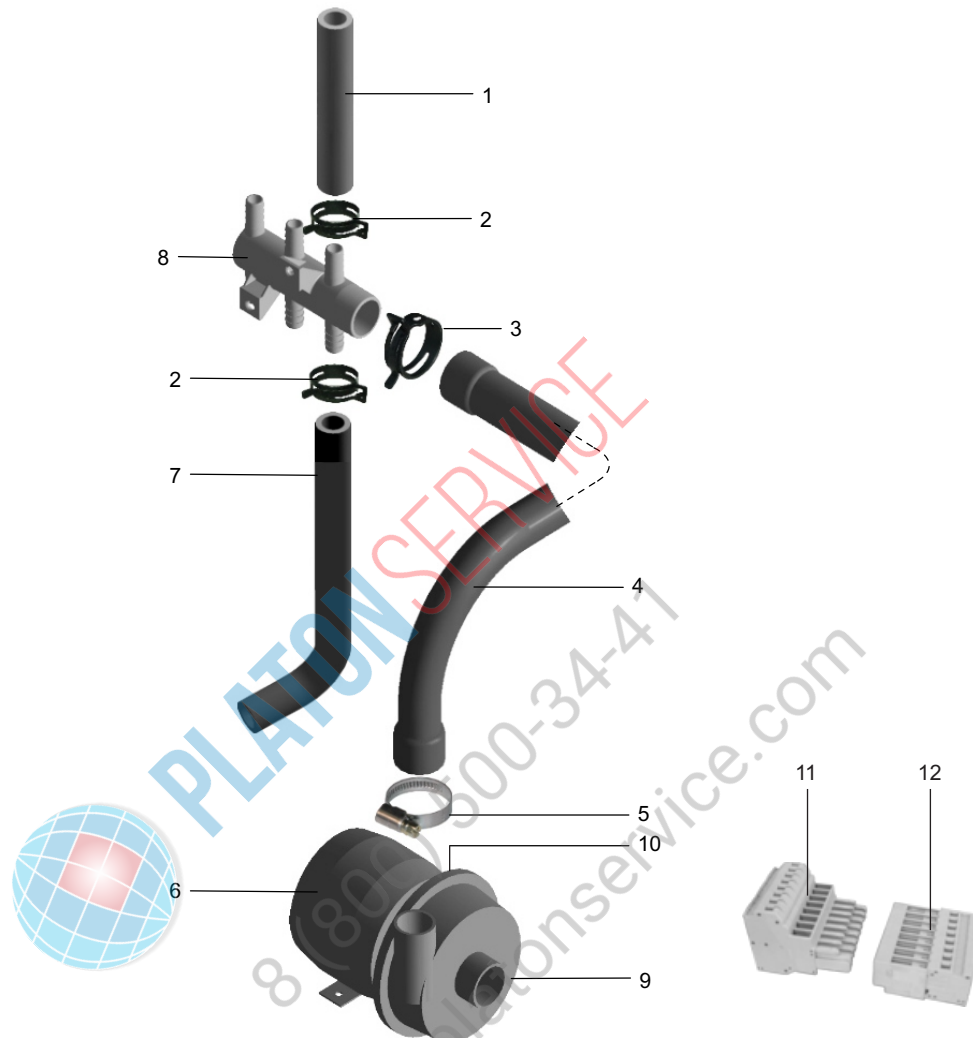




19.03 DRAIN WATER TEMPERING KIT

POS.	PART #	DESCRIPTION
1	9517067	HOSE CONNECTION
2	9607417	HOSE CLAMP 30 X 12
3	9250121	BRACKET, DRAIN TEMPERING KIT
4	0233045	HOSE CLAMP
5	9207488	DRAIN HOSE WITH CLAMPS
6	9250102	U-BOLT
7	9250116	BUSHING, REDUCER CPVC 1" X 3/4"
8	9250130	HOSE BARB PVDF 3/4" X 1"
9	9250116	BUSHING, REDUCER CPVC 1" X 3/4"
10	9207079	CLOSE NIPPLE, BRASS 3/8"
11	9306463	SOLENOID VALVE 240V 3/8"
12	9250173	HOSE BARB BRASS 3/8" X 3/8"
13	9608607	HOSE 3/8"
14	0215019	ELBOW BRASS 1/2"
15	9651479	CLOSE NIPPLE BRASS 1/2"
16	9250112	CHECK VALVE 1/2"
17	9250115	REDUCER BUSHING BRASS 1/2" X 3/8"
18	9609642	HOSE CLAMP
19	0113029	MINIATURE F PLUG DIN CONNECTOR
20	0180314	CABLE
21	9250113	TEE, 1"
22	9207587	DOUBLE CHECK VALVE
23	9250036	CLOSE NIPPLE, BRASS 3/4" NPT
24	9207588	TEMPERING VALVE 3/4"
25	9207862	REDUCER BUSHING, BRASS 1-1/4" NPT X 1" NPT
26	9207860	COUPLER, 1-1/4" NPT
27	9207861	CLOSE NIPPLE, BRASS 1-1/4" NPT
28	9250208	HOSE FITTING 1"
29	9207863	TEE, BRASS 1-1/4" NPT
30	9207591	DRAIN WATER TEMPERING KIT

22.12 BOOSTER PUMP



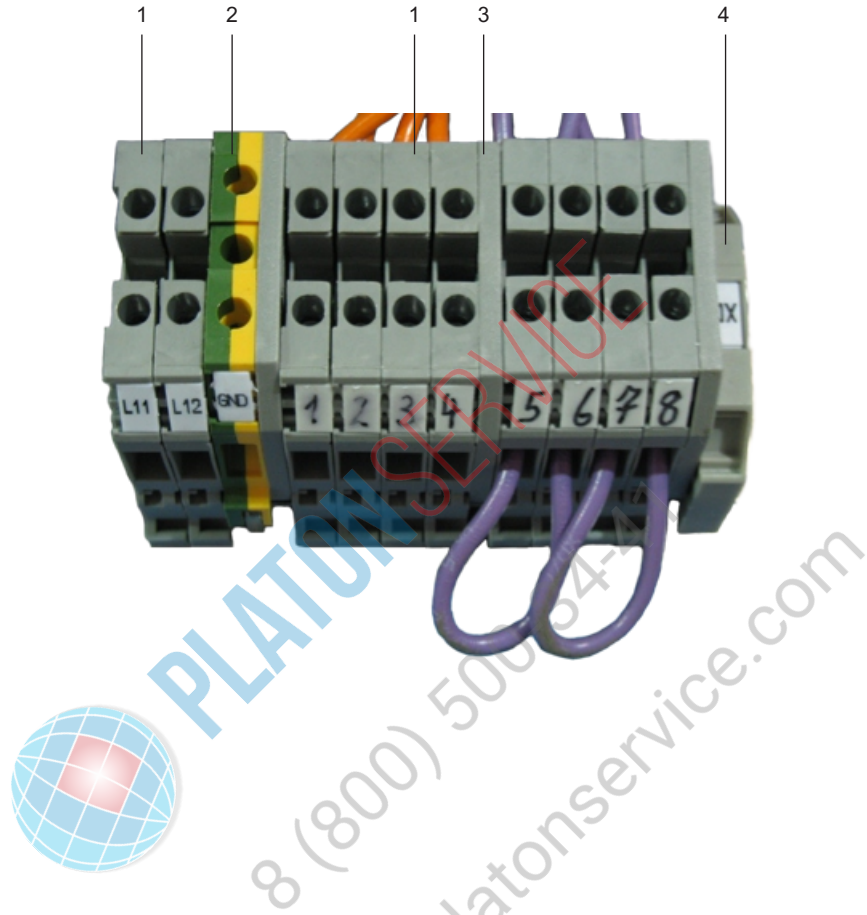
POS.	PART #	DESCRIPTION
1	9608600	HOSE 1/2"
2	9607418	CLAMP
3	9607416	CLAMP
4	9600844	HOSE CONNECTION
5	0233046	CLAMP
6	9545451	PUMP WITH MOTOR 208V-230V / 460V
	9548658	PUMP SEAL ASSEMBLY
	9552773	IMPELLER
7	9607559	HOSE COUPLING
8	9600841	DISTRIBUTOR
9	9500311	PUMP HOUSING
10	0501094	PACKING FOR PUMP HOUSING
11	9546588	CONNECTOR - MACHINE SIDE
12	9546589	CONNECTOR - MOTOR SIDE

24.06 AIR GAP



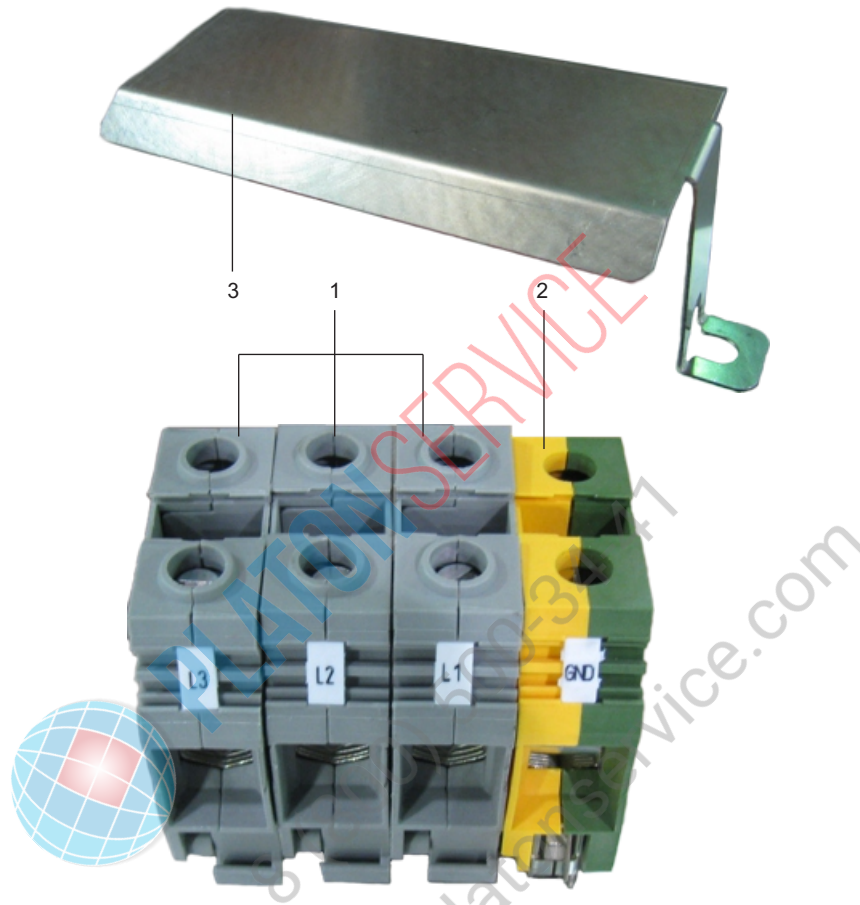
POS.	PART #	DESCRIPTION
1	9523195	AIR GAP
2	0650076	RUBBER SEAL
3	0233036	HOSE CLAMP
4	9207103	HOSE 3/8" RED
5	9207253	RINSE AID TUBING - CLEAR
6	9605930	HOSE CLAMP
7	9608600	HOSE 1/2"
8	9608607	HOSE 3/8" BLACK
9	9607418	HOSE CLAMP
10	9609462	HOSE CLAMP
11	8000609	WATER GUIDING SHEET
12	9207382	ADAPTER - BLUE HOSE

26.01 CHEMICAL CONNECTION BLOCK



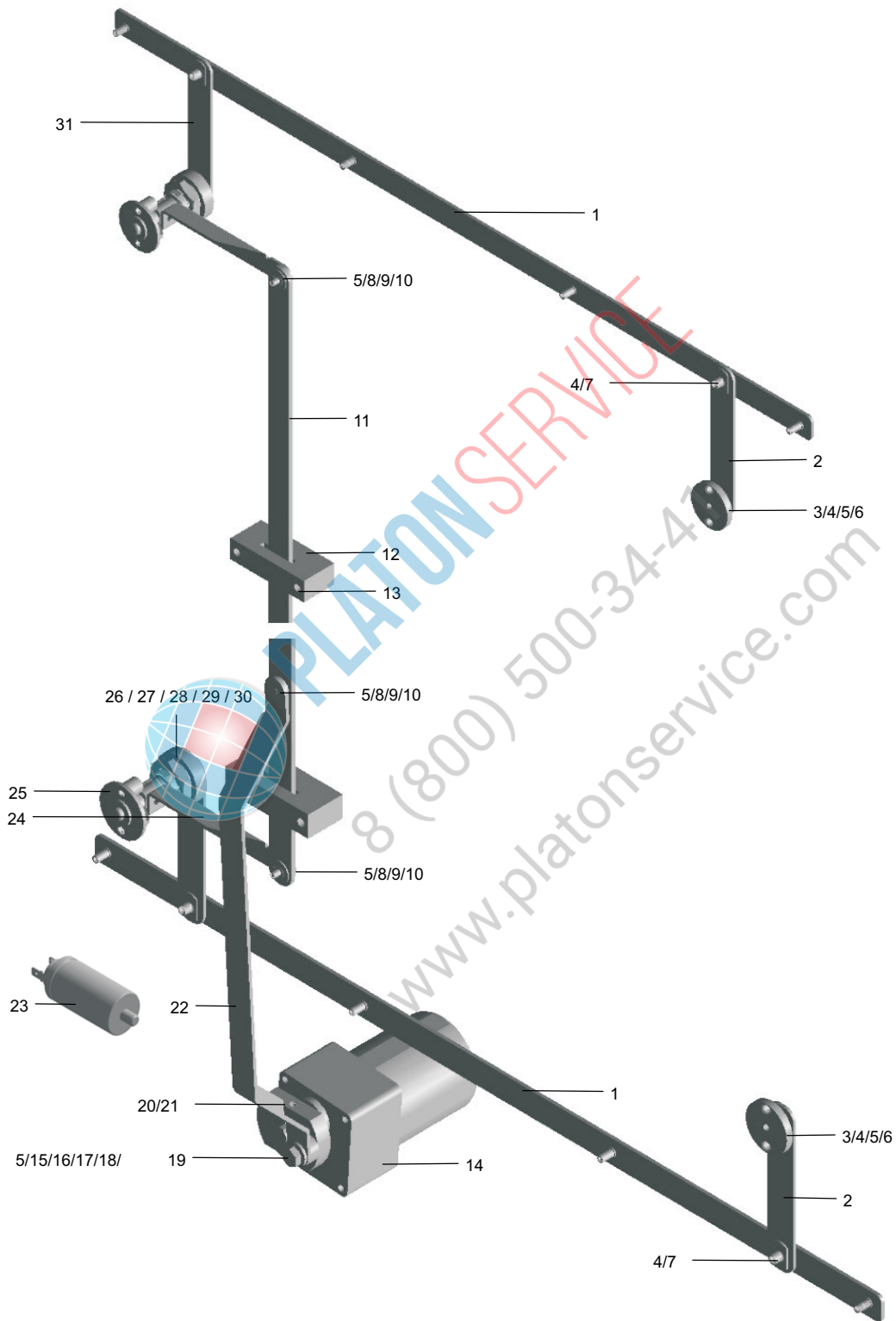
POS.	PART #	DESCRIPTION
1	0153276	TERMINAL BLOCK
2	0153278	TERMINAL BLOCK GROUND
3	0153268	COVER PLATE
4	0153098	FINAL ANGLE

27.01 ELECTRICAL SUPPLY CONNECTION BLOCK



POS.	PART #	DESCRIPTION
1	0153273	TERMINAL BLOCK, INCOMING POWER
2	0153275	TERMINAL BLOCK, INCOMING POWER GROUND
3	9601304	COVER

29.02 WASH ARM DRIVE





29.02 WASH ARM DRIVE

POS.	PART #	DESCRIPTION
1	9600635	BAR
2	9600795	LEVER
3	9600646	BEARING HOUSING
4	9600796	BEARING BUSH
5	0337001	NUT, LOCKING M5
6	0340021	WASHER
7	9600641	BEARING RING
8	9600788	WASHER
9	9600714	BEARING BUSH
10	0340020	SUPPORT DISC
11	9600702	BAR
12	9600739	BEARING BLOCK
13	9600741	PLATE
14	9651040	GEARBOX WITH MOTOR 100-120VAC
15	9600651	BEARING BUSH
16	9600722	BUSHING
17	0302009	BOLT M8 X 30
18	0340056	WASHER
19	9606415	SPACER RING
20	9600738	ECCENTRIC DISK
21	0302044	HEXAGON SCREW M5 X 15
22	9600719	BAR
23	9545702	CAPACITOR 4.5 μ F
24	9600725	LEVER ARM
25	0620372	SLIDING BEARING
26	9600632	BEARING HOUSING
27	0402003	ROTARY SHAFT SEAL
28	0401023	O-RING 26MM X 3MM
29	9600728	NUT
30	9600640	BEARING BUSH
31	9007132	LEVER



PLATON SERVICE

8 (800) 500-34-47

www.platonservice.com



The clean solution

MEIKO

1349 Heil Quaker Blvd.
La Vergne, TN 37086
Phone: (615) 399-6600
(800) 55-MEIKO
Fax: (615) 399-6620